

Submersible sewage pump made of stainless steel AISI 304, with double mechanical seals ensure long life and reliability. Suitable for sewage and dirty water systems with solids. Applications include remote sewage stations for housing developments, pubs, hotels and restaurants, and water displays. Options include with - without float switch. Solids handling up to 50 mm.



### SPECIFICATIONS

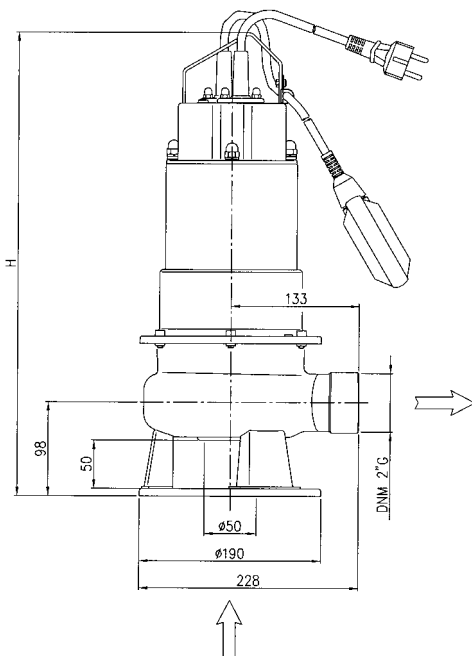
- Maximum liquid temperature: 40°C
- Maximum immersion: 10 m
- Maximum passage of solids: 50 mm

### MATERIALS

- Pump casing, impeller, cover, casing cover and motor casing in AISI 304
- Shaft in AISI 303
- Double mechanical seal with interposed oil chamber: upper in carbon/ceramic/NBR, lower in Sic/SiC/NBR

### TECHNICAL DATA

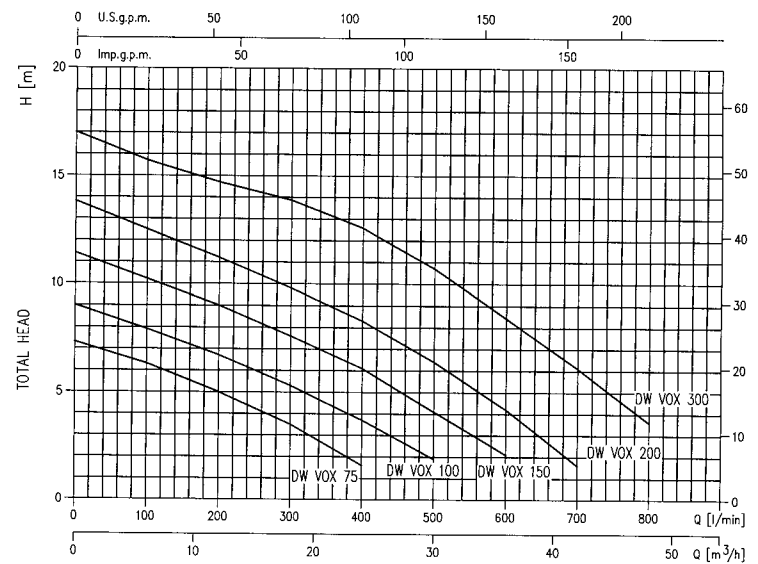
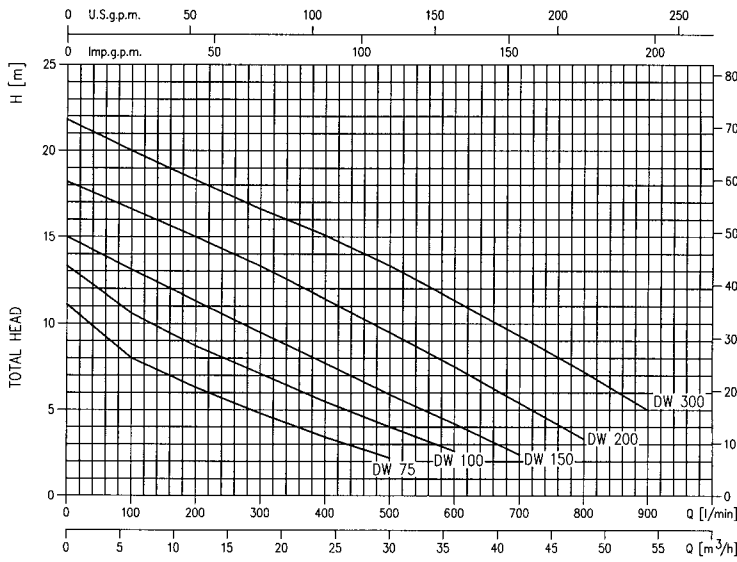
- Asincronous 2 poles motor
- Insulation class F
- Protection degree IP68
- 1~230V  $\pm 10\%$  50Hz - 3~400V  $\pm 10\%$  50Hz
- Permanent split capacitor and automatic thermal overload protection for single-phase version
- Thermal protection to be provided by the user for three-phase version
- DNA 50-DNM 2"
- DNM 50PN10 (F version)



### DIMENSIONAL TABLE

Pump type	Dimensions (mm)		Weight kg	Pump type	Dimensions (mm)		Weight kg
	H				H		
DW 75	485		16	DW VOX 75	485		16
DW 100	515		18	DW VOX 100	515		18
DW 150	515		20	DW VOX 150	515		20
DW 200	515		20	DW VOX 200	515		20
DW 300	545		26	DW VOX 300	545		26

### PERFORMANCE CURVES (according to ISO 9906 Annex A)

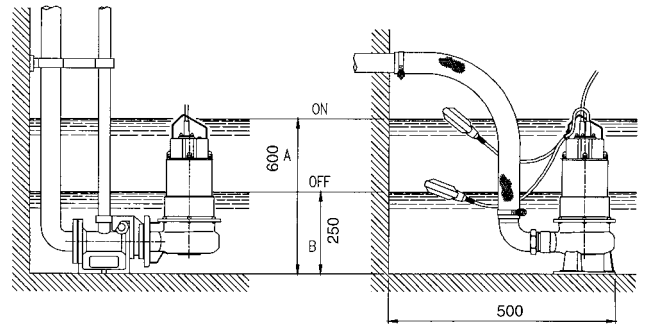
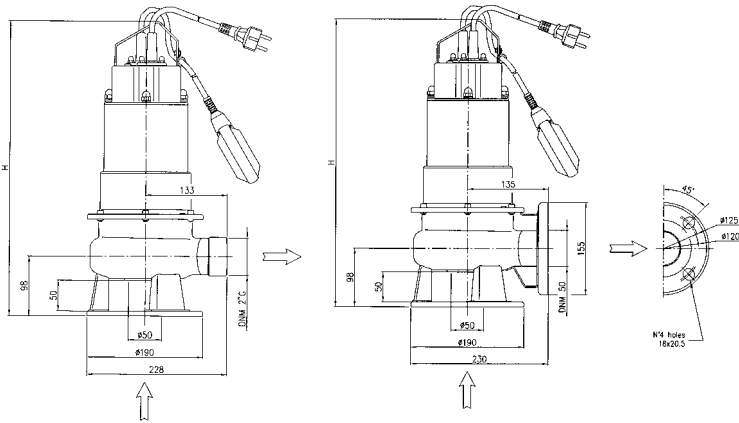


DW  
DW VOX

DWF  
DW VOX F

DW FZ  
DW VOX FZ

DW  
DW VOX



### PERFORMANCE TABLE

Pump type		kW	Capacitor		Absorbed Current (A)		l/min m³/h	Q=Capacity									
Single-phase 230V 50Hz	Three-phase 400V 50Hz		μF	V <sub>c</sub>	1~	3- 400V		100	200	300	400	500	600	700	800	900	
								H=Total head									
DW 75 M	DW 75	0,55	20	450	3,9	1,5	8	6,3	4,8	3,4	2,2	-	-	-	-		
DW 100 M	DW 100	0,75	25	450	5,9	2,1	10,6	8,7	7,1	5,5	4	2,6	-	-	-		
DW 150 M	DW 150	1,1	31,5	450	7,3	2,8	13,1	11,3	9,5	7,7	5,9	4,2	2,4	-	-		
-	DW 200	1,5	-	-	-	3,6	16,6	15	13,3	11,4	9,5	7,5	5,4	3,3	5		
-	DW 300	2,2	-	-	-	5,0	20	18,3	16,6	15,1	13,3	11,3	9,3	7,2	-		
DW VOX 75 M	DW VOX 75	0,55	20	450	3,9	1,4	6,3	5	3,5	1,6	-	-	-	-	-		
DW VOX 100 M	DW VOX 100	0,75	25	450	5,8	2,1	7,9	6,7	5,3	3,7	1,9	-	-	-	-		
DW VOX 150 M	DW VOX 150	1,1	31,5	450	7,3	2,8	10,2	9	7,6	6,1	4,1	2,1	-	-	-		
-	DW VOX 200	1,5	-	-	-	3,3	12,5	11,2	9,8	8,3	6,4	4,2	1,6	-	-		
-	DW VOX 300	2,2	-	-	-	4,4	15,7	14,7	13,9	12,6	10,7	8,4	6,1	3,6	-		